

18 Bit RGB, 8/16-Bit parallel, SPI interface



*Dimension 32x35x3.1mm (right picture)
and 44x46x5.3mm (incl. PCAP, left one)*

FEATURES

- 1.5" TFT FULL COLOR DISPLAY
- AACS TECHNOLOGY WITH IPS FOR UNLIMITED VIEWING ANGLE
- 240X240X3 DOTS, CONTROLLER LCD: ST7789V, CTP: ST1615
- 1100 OR 1000 CD/M² WITHOUT/WITH TOUCHPANEL
- 4 DIFFERENT INTERFACES AVAILABLE:
 - 18-BIT RGB INTERFACE
 - 8-BIT PARALLEL INTERFACE
 - 16-BIT PARALLEL INTERFACE
 - SPI INTERFACE
- WIDE TEMPERATURE RANGE (T_{OP} -20°C - +70°C)
- SUPPLY VOLTAGE 3.3V
- OPTIONALLY WITH OPTICAL BONDED PCAP AND CONTROLLER ST1615

ORDERING CODES

- 1.5" TFT, 240X240, IPS
- AS ABOVE, BUT WITH OPTICALLY BONDED PCAP

EA TFT015-22AINN
EA TFT015-22AITC

Accessories

- TEST BOARD WITH USB-INTERFACE
- BREAK-OUT BOARD 2.54 MM CONTACTS
- ZIF CONNECTOR 0.3MM, BOTTOM CONTACT

EA 9782-1USB
EA 9980-TFT
EA WF030-39S

Content

REVISION HISTORY	3
GENERAL DESCRIPTION	4
INTERFACE SIGNALS, PINOUT	5
ELECTRICAL AND ENVIRONMENTAL SPECIFICATION	6
ELECTRICAL ABSOLUTE MAXIMUM RATINGS	6
ENVIRONMENTAL ABSOLUTE MAXIMUM RATINGS	6
ELECTRICAL SPECIFICATION TFT LCD PANEL	7
ELECTRICAL SPECIFICATION LED BACKLIGHT	7
SERIAL INTERFACE CHARACTERISTICS (4-LINE SERIAL)	8
8080 SERIES MCU PARALLEL INTERFACE CHARACTERISTICS	9
RESET TIMING	10
RGB INTERFACE TIMING	11
RGB COLOR FORMAT	12
RGB INTERFACE DEFINITION	13
RGB INTERFACE TIMING	14
OPTICAL CHARACTERISTIC	15
TOUCPANEL EA TFT015-22AITC ST771615	17
I ² C HARDWARE INTERFACE DESCRIPTION	17
I ² C SOFTWARE PROTOCOL DESCRIPTION	18
QUALITY ASSURANCE	19
QUALITY UNITS	19
INSPECTION METHOD	19
QUALITY LEVEL	19
DEFINITION	20
DEFINITION OF DOT DEFECT	20
Bright dot	20
Dark dot	21
The usage of ND 5%	21
VISUAL INSPECTION STANDARD	22
ELECTRONIC INSPECTION STANDARD	25
INITIALISATION EXAMPLE	27
ACCESSORY EA WF030-39S	28
DIMENSION EA TFT015-22AINN	29
DIMENSION EA TFT015-22AITC	30

REVISION HISTORY

Date	Rev.	Page(s)	Description
2022-10-27	1.0	All	First issue

PRELIMINARY

GENERAL DESCRIPTION

With its new 1.5" TFT displays DISPLAY VISIONS launches the worldwide first small-sized quadratic displays with high-quality. With its IPS technology these displays provide full viewing angle with all-angle color stability management (AACs). This means that color stays same even when viewing angle is changing. So it can be used in directions without any disadvantage.

Display brightness is enormous with typ. over 1000cd/m² and paves the way for manifold applications in industrially and medically field, even for usage at direct sunlight.

The displays provide many interface modes like standard RGB interface which is suitable even for fast changing display content. The 4-wire SPI interface is perfect for pin saving applications and the 16-bit and 8-bit µC data bus interface enables parallel access to the display.

The version EA TFT015-22AITC comes with an optical bonded (OCA) PCAP touch panel. Interface is I²C which makes it easy to read out directly the coordinates.

The single connector for display interface, power supply for backlight and touch panel interface saves time in production. It also saves space on pcb because there's 1 single FPC connector necessary only. For SMD mount we do provide a connector EA WF030-39S as an accessory.

Parameter	Specifications	Unit
Screen size	1.54(Diagonal)	inch
Resolution	240RGB(H)× 240(V)	Pixel
Active area	27.72 x 27.72	mm
Outline dimension	32.0(W) x 35.0(H), (Exclude FPC) for details see dimension drawing	mm
Display Mode	Normally Black/Transmissive	
Driving method	TFT active matrix	
Pixel pitch	0.1155(H)x0.1155(V)	mm
Input Signals	4 line SPI / 4 line SPI +18 bit RGB / 8/16 bit MCU	
Surface treatment	-	
Color Depth	262K	Color
View Angle direction	Free	
Temperature Range	Operation	-20~70
	Storage	-30~80
Input voltage	3.3	V
RoHS Compliance	RoHS	

INTERFACE SIGNALS, PINOUT

Pin No	Symbol	Function	Remark
1	LED-	Cathode of the backlight.	
2	LED+	Anode of the backlight.	
3	VDD	Power supply for TFT and optional CTP	
4	GND	GND	
5~22	DB0~DB17	Data bus	
23	DOTCLK	Dot clock signal for RGB interface operation.	
24	ENABLE	Data enable signal for RGB interface operation. Low: access enabled, High: access inhibited,	
25	HSYNC	Line synchronizing signal for RGB interface operation.	
26	VSYNC	Frame synchronizing signal for RGB interface operation.	
27	TE	Tearing effect signal is used to synchronize MCU to frame memory	
28	CSX	Chip selection pin; Low enable. High disable.	
29	SDA	The data is latched on the rising edge of the SCL signal.	
30	SDO	Serial data output	
31	DCX	Display data/command selection pin in parallel interface. This pin is used to be serial interface clock. DCX='1': display data or parameter. DCX='0': command data. If not used, please fix this pin at VDDI or DGND.	
32	WRX	Write enable in MCU parallel interface. Display data/command selection pin in 4-line serial interface. Second Data lane in 2 data lane serial interface. If not used, please fix this pin at VDDI or DGND.	
33	RESET	This signal will reset the device and it must be applied to properly initialize the chip. Signal is active low.	
34	IM1+IM2	Interface select	Note 1
35	IM3	Interface select	Note 1
36	RDX	Read enable in 8080 MCU parallel interface. If not used, please fix this pin at VDDI or DGND.	
37	Touch CLK	I2C serial clock for CTP	Note 2
38	Touch SDA	I2C serial data for CTP	Note 2
39	Touch INT	Indicate coordinate data ready	Note 2

Note 1: Interface select table:

IM3	IM2	IM1	IM0	MPU Interface Mode	Data pin
0	0	0	0	80-8bit parallel I/F	DB[7:0]
0	1	1	0	4-line 8bit serial I/F	SDA: in/out
1	0	0	0	80-16bit parallel I/F II	DB[17:10], DB[8:1]
1	1	1	0	4-line 8bit serial I/F II	SDA:in/ SDO: out

Note 2: Pin 37-38 is NC for EA TFT015-22AINN, only necessary for version with CTP EA TFT015-22AITC

ELECTRICAL AND ENVIRONMENTAL SPECIFICATION

ELECTRICAL ABSOLUTE MAXIMUM RATINGS

(GND=0V ,Ta=25°C)

Item	Symbol	Min.	Max.	Unit	Note
Power Supply Voltage	VDD	-0.3	+4.6	V	
Logic Signal Input /Output Voltage	VDDI	-0.3	+4.6	V	
Driver Supply Voltage	VGH-VGL	-0.3	+30	V	

Notes:

1. If the module is above these absolute maximum ratings. It may become permanently damaged. Using the module within the following electrical characteristic conditions are also exceeded, the module will malfunction and cause poor reliability.
2. VDD >GND must be maintained.
3. Please be sure users are grounded when handing LCD Module.

ENVIRONMENTAL ABSOLUTE MAXIMUM RATINGS

Item	Storage		Operating		Note
	MIN.	MAX.	MIN.	MAX.	
Ambient Temperature	-30°C	80°C	-20°C	70°C	1,2

1. The response time will become lower when operated at low temperature.
2. Background color changes slightly depending on ambient temperature. The phenomenon is reversible.

ELECTRICAL SPECIFICATION TFT LCD PANEL

(GND=0V, Ta=25°C)

Parameter	Symbol	Min	Typ	Max	Unit	Note
Power supply	VDD	3.0	3.3	3.6	V	
Input voltage	H	V_{IH}	$0.7 \cdot VDD$	-	VDD	V
	L	V_{IL}	GND	-	$0.3 \cdot VDD$	V
output voltage	H	V_{OH}	$0.8 \cdot VDD$	-	VDD	V
	L	V_{OL}	GND	-	$0.2 \cdot VDD$	V
TFT gate on voltage	VGH	-	12	-	V	
TFT gate off voltage	VGL	-	-7	-	V	
TFT Common Electrode Voltage	VCOM	-	0	-	V	

ELECTRICAL SPECIFICATION LED BACKLIGHT

(GND=0V, Ta=25°C)

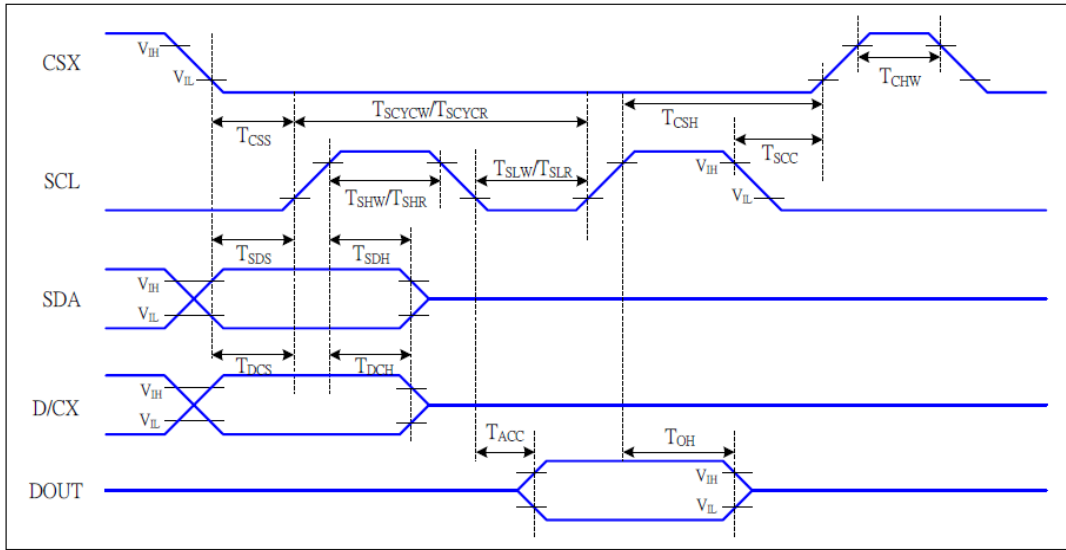
Item	Symbol	Min	Typ	Max	Unit	Note
Supply voltage	V_f	-	3.1	-	V	1
Supply current	I_f	-	80	-	mA	2
Life time	-	30000	-	-	Hr	3
Luminous Uniformity	Avg	80	-	-	%	

Note 1: The LED Supply Voltage is defined by the number of LED at Ta=25°C and $I_f=80\text{mA}$.

Note 2: Constant current.

Note 3: The "life time" is defined as the module brightness decrease to 50% original brightness at Ta=25°C and $I_L=80\text{mA}$. The LED lifetime could be decreased if operating I_L is larger than 80mA.

SERIAL INTERFACE CHARACTERISTICS (4-LINE SERIAL)

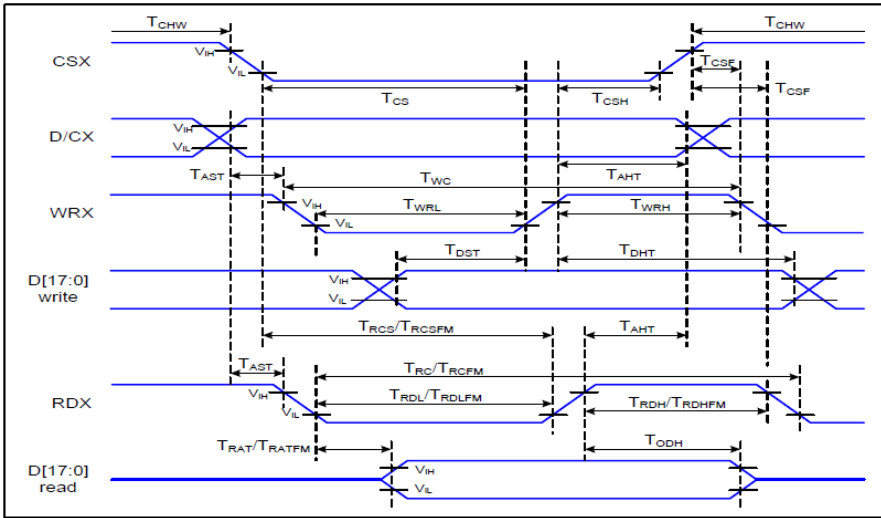


VDDI=1.65 to 3.6V, VDD=2.4 to 3.6V, AGND=DGND=0V, Ta=25 °C

Signal	Symbol	Parameter	MIN	MAX	Unit	Description
CSX	T_{CSS}	Chip select setup time (write)	15		ns	
	T_{CSH}	Chip select hold time (write)	15		ns	
	T_{CSS}	Chip select setup time (read)	60		ns	
	T_{SCH}	Chip select hold time (read)	65		ns	
	T_{CHW}	Chip select "H" pulse width	40		ns	
SCL	T_{SCYCW}	Serial clock cycle (Write)	16		ns	-write command & data ram
	T_{SHW}	SCL "H" pulse width (Write)	7		ns	
	T_{SLW}	SCL "L" pulse width (Write)	7		ns	
	T_{SCYCR}	Serial clock cycle (Read)	150		ns	-read command & data ram
	T_{SHR}	SCL "H" pulse width (Read)	60		ns	
	T_{SLR}	SCL "L" pulse width (Read)	60		ns	
D/CX	T_{DCS}	D/CX setup time	10		ns	
	T_{DCH}	D/CX hold time	10		ns	
SDA (DIN)	T_{SDS}	Data setup time	7		ns	
	T_{SDH}	Data hold time	7		ns	
DOUT	T_{ACC}	Access time	10	50	ns	For maximum CL=30pF
	T_{OH}	Output disable time	15	50	ns	For minimum CL=8pF

Note : The rising time and falling time (T_r , T_f) of input signal are specified at 15 ns or less. Logic high and low levels are specified as 30% and 70% of VDDI for Input signals.

8080 SERIES MCU PARALLEL INTERFACE CHARACTERISTICS



Signal	Symbol	Parameter	Min	Max	Unit	Description
D/CX	T _{AST}	Address setup time	0		ns	-
	T _{AHT}	Address hold time (Write/Read)	0		ns	
CSX	T _{CHW}	Chip select "H" pulse width	0		ns	-
	T _{CS}	Chip select setup time (Write)	15		ns	
	T _{RCs}	Chip select setup time (Read ID)	45		ns	
	T _{RCSFM}	Chip select setup time (Read FM)	355		ns	
	T _{CSF}	Chip select wait time (Write/Read)	10		ns	
	T _{CSH}	Chip select hold time	0		ns	
WRX	T _{WC}	Write cycle	66		ns	-
	T _{WRH}	Control pulse "H" duration	15		ns	
	T _{WRL}	Control pulse "L" duration	15		ns	
RDX (ID)	T _{RC}	Read cycle (ID)	160		ns	When read ID data
	T _{RDH}	Control pulse "H" duration (ID)	90		ns	
	T _{RDL}	Control pulse "L" duration (ID)	45		ns	
RDX (FM)	T _{RcFM}	Read cycle (FM)	450		ns	When read from frame memory
	T _{RDHFM}	Control pulse "H" duration (FM)	90		ns	
	T _{RDLFM}	Control pulse "L" duration (FM)	355		ns	
D[17:0]	T _{DST}	Data setup time	10		ns	For CL=30pF
	T _{DHT}	Data hold time	10		ns	
	T _{RAT}	Read access time (ID)		40	ns	
	T _{RATFM}	Read access time (FM)		340	ns	
	T _{ODH}	Output disable time	20	80	ns	

Table 4 8080 Parallel Interface Characteristics

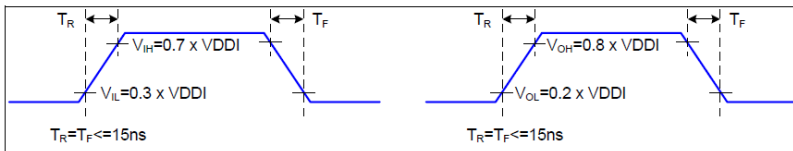


Figure 2 Rising and Falling Timing for I/O Signal

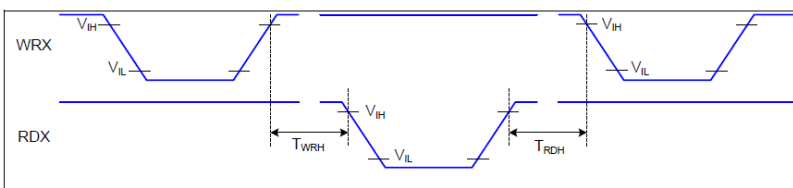
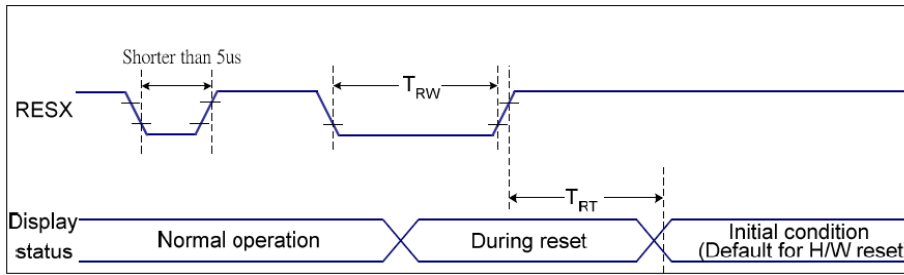


Figure 3 Write-to-Read and Read-to-Write Timing

RESET TIMING



VDDI=1.65 to 3.6V, VDD=2.4 to 3.6V, AGND=DGND=0V, Ta=25 °C

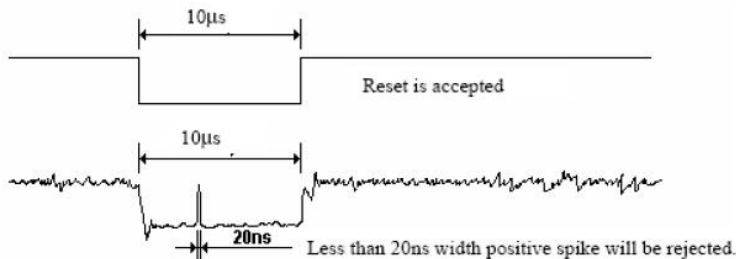
Related Pins	Symbol	Parameter	MIN	MAX	Unit
RESX	TRW	Reset pulse duration	10	-	us
	TRT	Reset cancel	-	5 (Note 1, 5)	ms
			120 (Note 1, 6, 7)	ms	

Notes:

1. The reset cancel includes also required time for loading ID bytes, VCOM setting and other settings from NVM (or similar device) to registers. This loading is done every time when there is HW reset cancel time (tRT) within 5 ms after a rising edge of RESX.
2. Spike due to an electrostatic discharge on RESX line does not cause irregular system reset according to the table below:

RESX Pulse	Action
Shorter than 5us	Reset Rejected
Longer than 9us	Reset
Between 5us and 9us	Reset starts

3. During the Resetting period, the display will be blanked (The display is entering blanking sequence, which maximum time is 120 ms, when Reset Starts in Sleep Out-mode. The display remains the blank state in Sleep In -mode.) and then return to Default condition for Hardware Reset.
4. Spike Rejection also applies during a valid reset pulse as shown below:



5. When Reset applied during Sleep In Mode.
6. When Reset applied during Sleep Out Mode.
7. It is necessary to wait 5msec after releasing RESX before sending commands. Also Sleep Out command cannot be sent for 120msec.

RGB INTERFACE TIMING

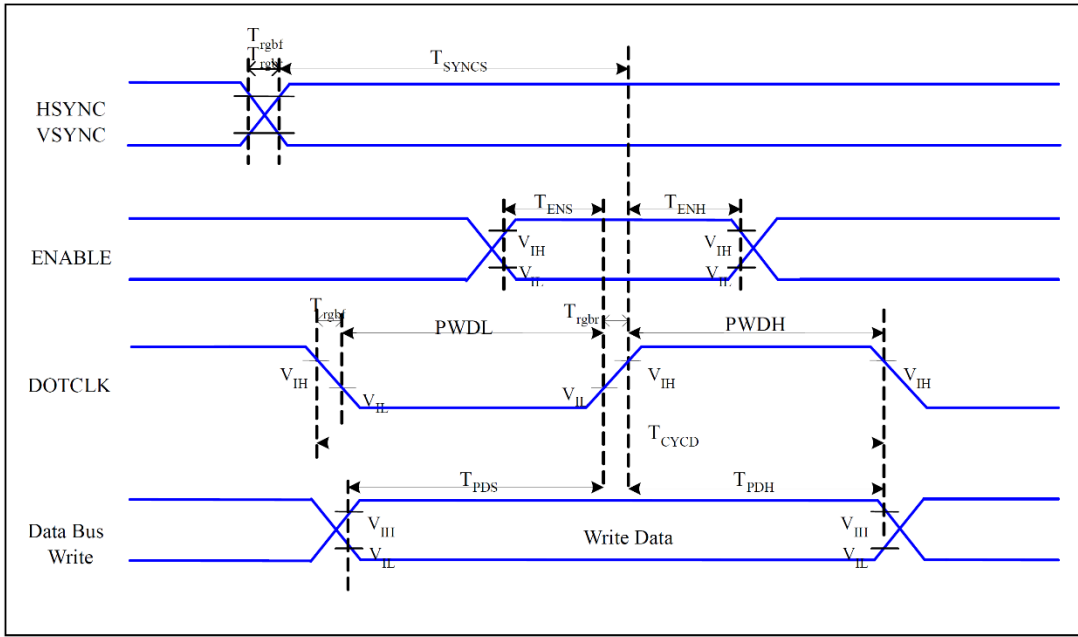


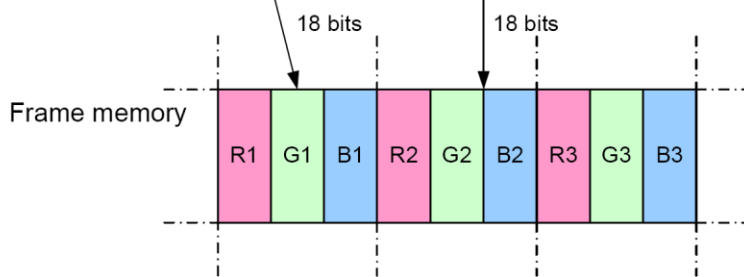
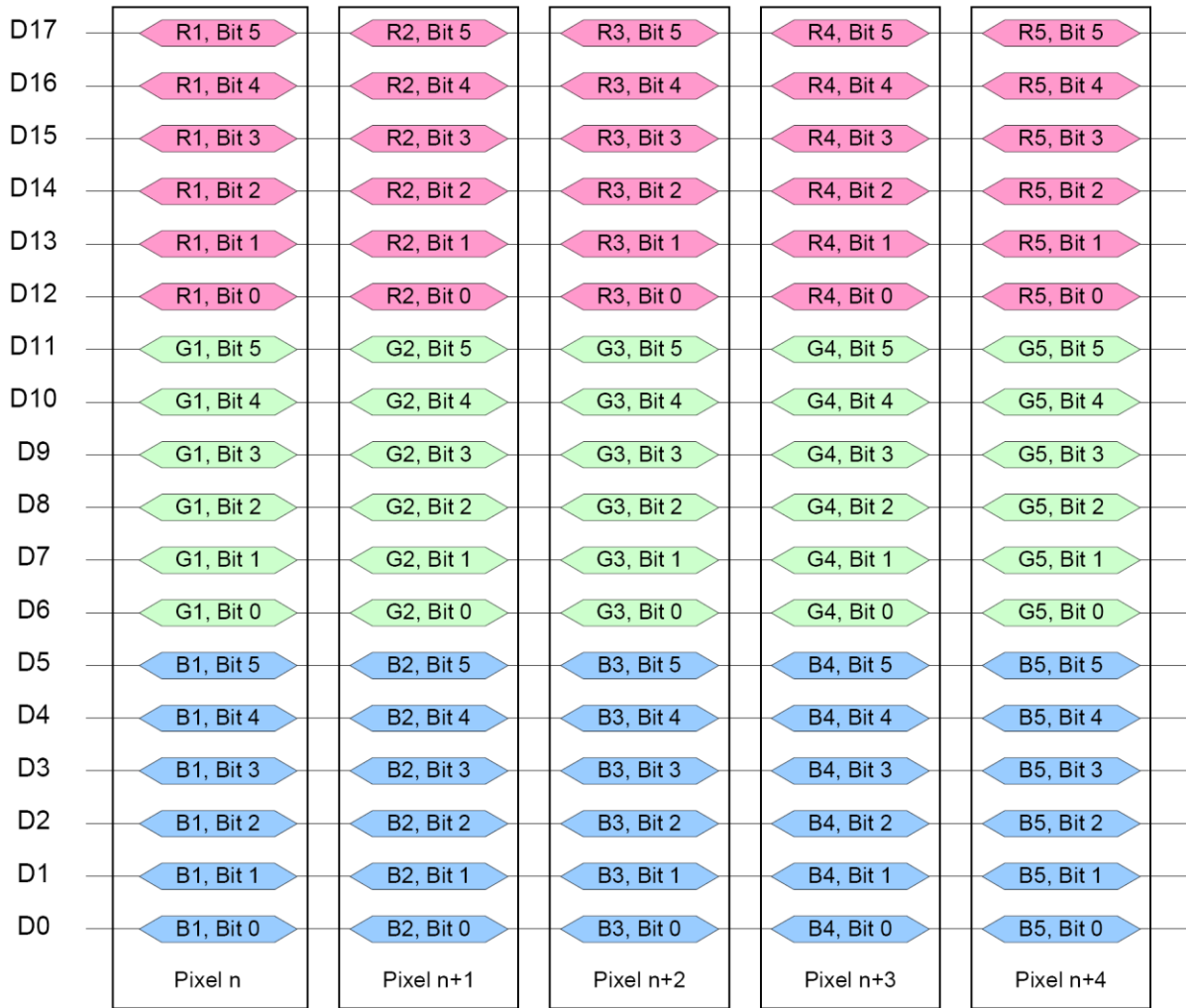
Figure 6 RGB Interface Timing Characteristics

VDDI=1.65 to 3.3V, VDD=2.4 to 3.3V, AGND=DGND=0V, Ta=25°C

Signal	Symbol	Parameter	MIN	MAX	Unit	Description
HSYNC, VSYNC	T_{SYNC}	VSYNC, HSYNC Setup Time	30	-	ns	
ENABLE	T_{ENS}	Enable Setup Time	25	-	ns	
	T_{ENH}	Enable Hold Time	25	-	ns	
DOTCLK	PWDH	DOTCLK High-level Pulse Width	60	-	ns	
	PWDL	DOTCLK Low-level Pulse Width	60	-	ns	
	T_{CYCD}	DOTCLK Cycle Time	120	-	ns	
	Trghr, Trghf	DOTCLK Rise/Fall time	-	20	ns	
DB	T_{PDS}	PD Data Setup Time	50	-	ns	
	T_{PDH}	PD Data Hold Time	50	-	ns	

RGB COLOR FORMAT

Write data for 18-bit/pixel (RGB 6-6-6-bit input), 262K-Colors



RGB INTERFACE DEFINITION

The display operation via the RGB interface is synchronized with the VSYNC, HSYNC, and DOTCLK signals. The data can be written only within the specified area with low power consumption by using window address function. The back porch and front porch are used to set the RGB interface timing.

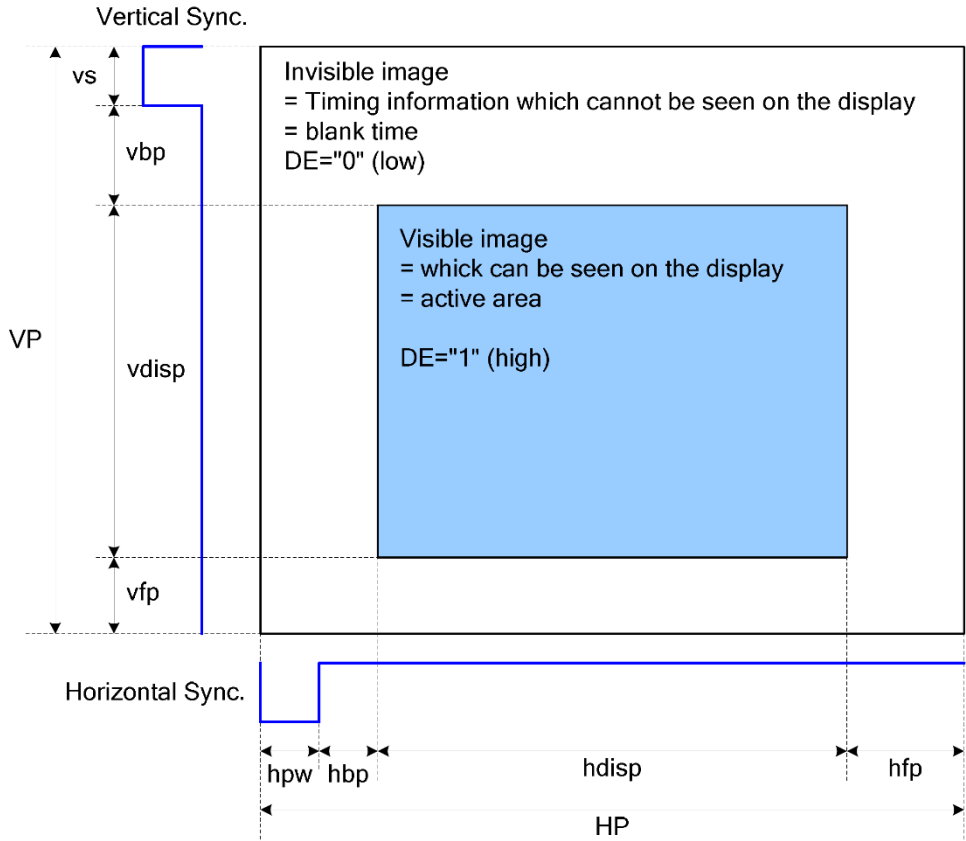


Figure 24 DRAM Access Area by RGB Interface

Please refer to the following table for the setting limitation of RGB interface signals.

Parameter	Symbol	Min.	Typ.	Max.	Unit
Horizontal Sync. Width	hpw	2	10	hpw+hbp=31	Clock
Horizontal Sync. Back Porch	hbp	4	10		Clock
Horizontal Sync. Front Porch	hfp	2	38	-	Clock
Vertical Sync. Width	vs	2	4	vs+vbp=127	Line
Vertical Sync. Back Porch	vbp	2	4		Line
Vertical Sync. Front Porch	vfp	2	8	-	Line

Note:

Typical value are related to the setting of dot clock is 7MHz and frame rate is 70Hz.

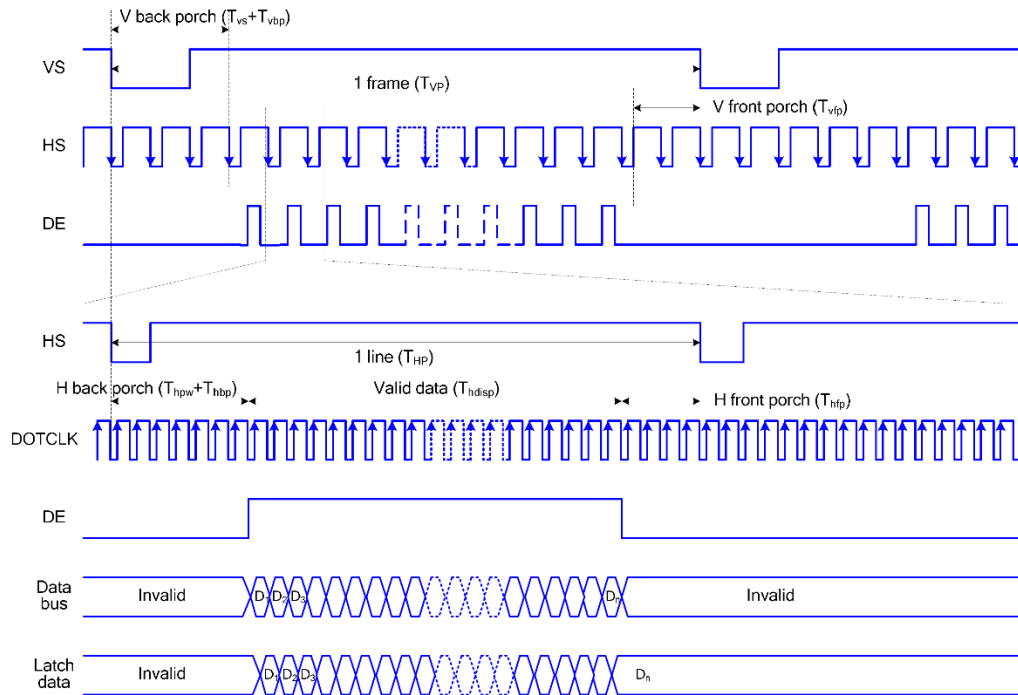
If the setting of hpw is 10 dot clocks and hbp is 10 dot clocks, the setting of HBP in command B1h is 20 dot clocks

In with ram mode, hpw+hbp+hfp ≥ 22

In without ram mode, hpw+hbp ≥ 20

RGB INTERFACE TIMING

The timing chart of RGB interface DE mode is shown as follows.



Note: The setting of front porch and back porch in host must match that in IC as this mode.

Figure 25 Timing Chart of Signals in RGB Interface DE Mode

The timing chart of RGB interface HV mode is shown as follows.

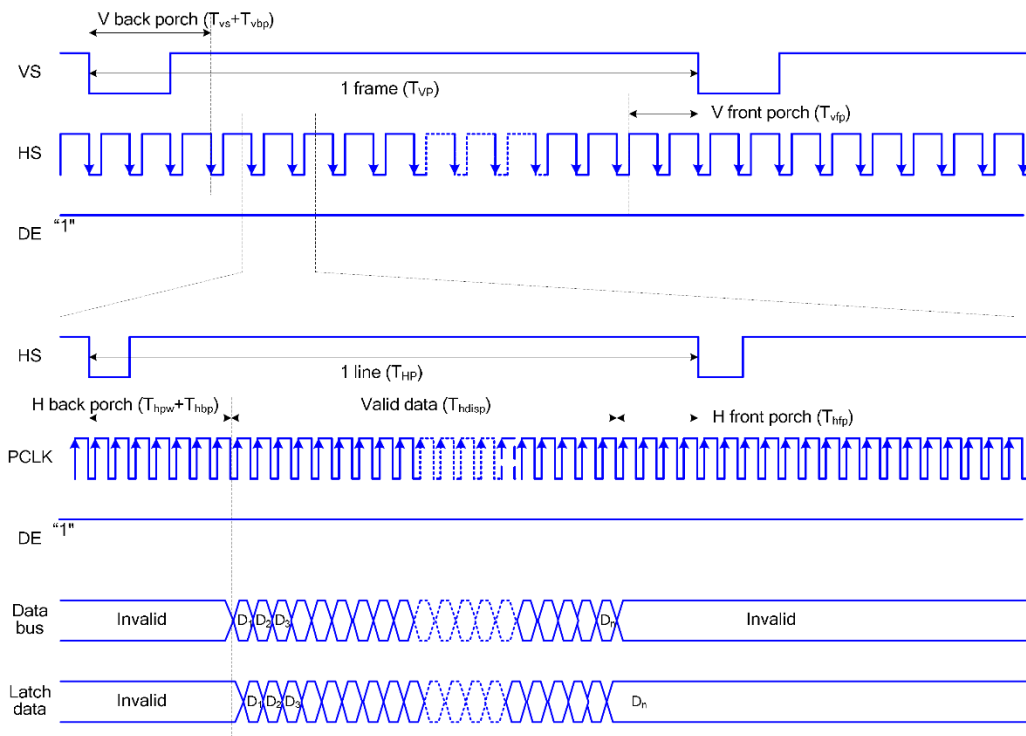


Figure 26 Timing chart of RGB interface HV mod

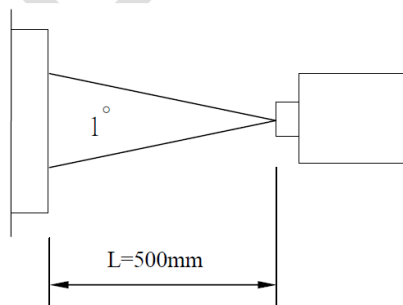
OPTICAL CHARACTERISTIC

Optical characteristics are determined after the unit has been 'ON' and stable for approximately 30 minutes in a dark environment at 25 °C. The values specified are at an approximate distance 500mm from the LCD surface at a viewing angle of Φ and θ equal to 0°.

Item	Condition.	Values			Unit	Note	
		Min.	Typ.	Max.			
1) Contrast Ratio	Center	-	900	-		Note(3)	
2) Response time	T _{ON} +T _{OFF}	-	30	-	ms	Note (4)	
3) Viewing Angle (CR≥10)	θ_L	$\Phi=180^\circ$	-	80	-	Degree	Note(5)
	θ_R	$\Phi=0^\circ$	-	80	-		
	θ_T	$\Phi=90^\circ$	-	80	-		
	θ_B	$\Phi=270^\circ$	-	80	-		
4) Chromaticity	Wx	Typ-0.05	Typ+0.05	TBD		Note(2,6,7)	
	Wy			TBD			
	Rx			TBD			
	Ry			TBD			
	Gx			TBD			
	Gy			TBD			
	Bx			TBD			
	By			TBD			
5) LCD Luminance	Surface L	1100	-	-	cd/m ²	Note(7)	

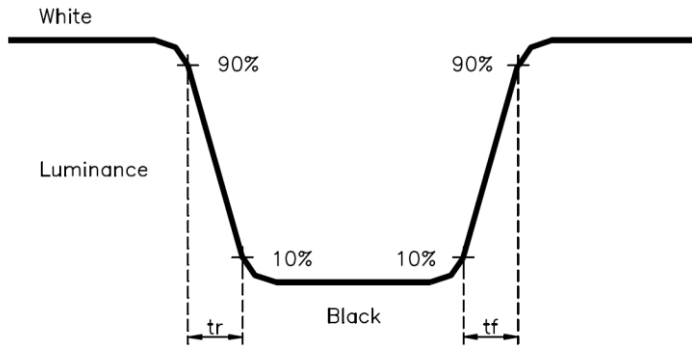
Note 1. Test Conditions: V_{DD}=3.3V, I_L=80mA (Backlight current).
Ambient condition: 25°C±2°C, 60±10%RH, under 10 Lux in the darkroom.

Note 2. Measure device: BM-5A (TOPCON), viewing cone=1°.

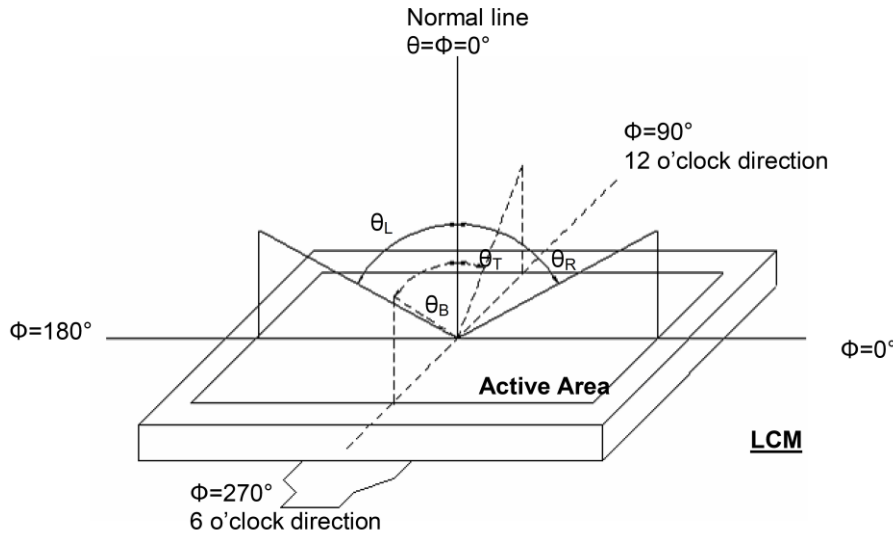


Note 3. Definition of Contrast Ratio:
CR = White Luminance (ON) / Black Luminance (OFF)

Note 4. Definition of response time: The response time is defined as the time interval between the 10% and 90% amplitudes.



Note 5. Definition of view angle (θ , Φ):



Note 6. Definition of color chromaticity (CIE1931), Color coordinates measured at center point of LCD.

Note 7. All input terminals LCD panel must be ground while measuring the center area of the panel. The LED driving condition is $I_L = 60\text{mA}$.

Note 8. Light source: C light.

TOUCPANEL EA TFT015-22AITC ST771615

The display module EA TFT015-22AITC comes with optically bonded PCAP Touchpanel. The touch controller is included.

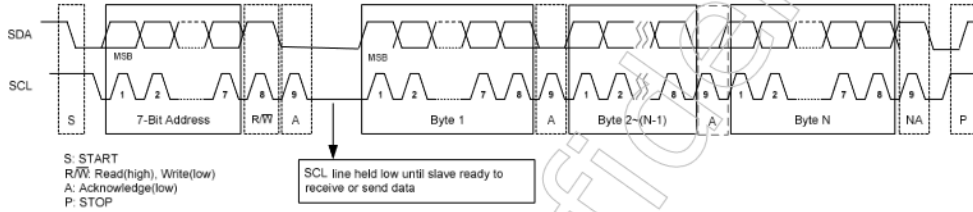
I²C HARDEWARE INTERFACE DESCRIPTION

The complete datasheet can be found under:

https://www.lcd-module.de/fileadmin/eng/pdf/zubehoer/ST1615_datasheet_v1.4.pdf

ST1615 is equipped with I²C interface, up tp 400 KHz.

Read



Write

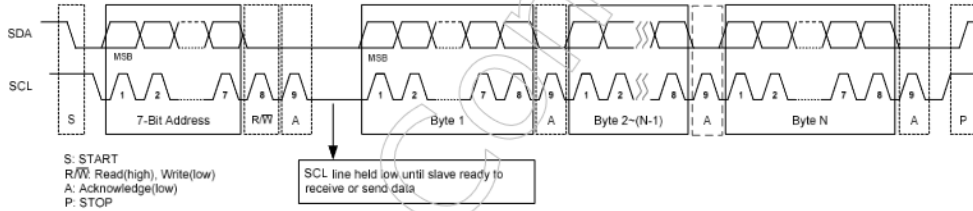


Figure 4-1 I2C Waveform

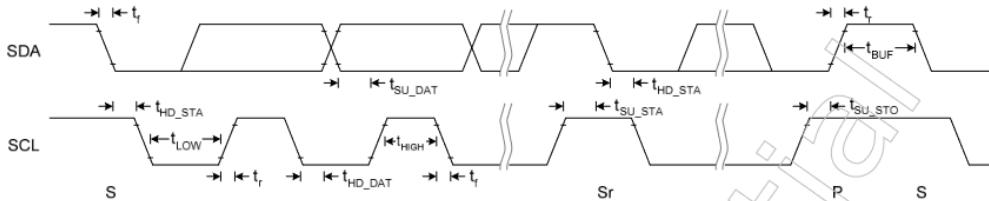


Figure 5-1 I2C Fast Mode Timing

Table 5-3 I2C Fast Mode Timing Characteristic

Conditions: VDD = 3.3V, GND = 0V, T_A = 25°C

Symbol	Parameter	Rating			Unit
		Min.	Typ.	Max.	
f _{SCL}	SCL clock frequency	0	-	400	kHz
t _{LOW}	Low period of the SCL clock	1.3	-	-	us
t _{HIGH}	High period of the SCL clock	0.6	-	-	us
t _f	Signal falling time	-	-	300	ns
t _r	Signal rising time	-	-	300	ns
t _{SU_STA}	Set up time for a repeated START condition	0.6	-	-	us
t _{HD_STA}	Hold time (repeated) START condition. After this period, the first clock pulse is generated	0.6	-	-	us
t _{SU_DAT}	Data set up time	100	-	-	ns
t _{HD_DAT}	Data hold time	0	-	0.9	us
t _{SU_STO}	Set up time for STOP condition	0.6	-	-	us
t _{BUF}	Bus free time between a STOP and START condition	1.3	-	-	us
C _b	Capacitive load for each bus line	-	-	400	pF

I²C SOFTWARE PROTOCOL DESCRIPTION

The complete datasheet can be found under:

[https://www.lcd-module.de/fileadmin/eng/pdf/zubehoer/Sitronix Touch IC Protocol A V2.7.pdf](https://www.lcd-module.de/fileadmin/eng/pdf/zubehoer/Sitronix_Touch_IC_Protocol_A_V2.7.pdf)

Host Interface Registers (Report Page)									
Reg. Addr.	Name	Bit 7	Bit 6	Bit 5	Bit 4	Bit 3	Bit 2	Bit 1	Bit 0
0x00	Firmware Version	Version (RO)							
0x01	Status Reg.	Error Code (RO)				Device Status (RO)			
0x02	Device Control Reg.	Reserv ed	Multi-Touch Disable (RW)	Proximi ty Enable (RW)	Reserv ed	Reserv ed	Deep Power Down (RW)	Power Down (RW)	Reset (RW)
0x03	Timeout to Idle Reg.	Timeout to Idle (sec.) (RW)							
0x04	XY Resolution (High Byte)	Reserv ed	X_Res_H (RO)			Reserv ed	Y_Res_H (RO)		
0x05	X Resolution (Low Byte)	X_Res_L (RO)							
0x06	Y Resolution (Low Byte)	Y_Res_L (RO)							
0x07	Sensing Counter (High Byte)	Sensing_Counter_H (RO)							
0x08	Sensing Counter (Low Byte)	Sensing_Counter_L (RO)							
0x09 ... 0x0B	...	Reserved							
0x0C	Firmware Revision 3	FW_Rev_3 (RO)							
0x0D	Firmware Revision 2	FW_Rev_2 (RO)							
0x0E	Firmware Revision 1	FW_Rev_1 (RO)							
0x0F	Firmware Revision 0	FW_Rev_0 (RO)							
0x10	Advanced Touch Info.	Reserv ed	Proximi ty Flag (RO)	Water Flag (RO)	Reserv ed	Gesture Type(RO)			
0x11	Keys Reg.	Keys (RO)							
0x12	XY0 Coord. (High Byte)	Valid 0 (RO)	X0_H (RO)			Reserv ed	Y0_H (RO)		

IPRY

Host Interface Registers (Report Page)									
Reg. Addr.	Name	Bit 7	Bit 6	Bit 5	Bit 4	Bit 3	Bit 2	Bit 1	Bit 0
0xF1	Misc. Control	Enable Smart Wake Up (RW)	Reserved						
0xF2	Smart Wake Up ID	Smart Wake Up ID (RW)							
0xF3 ... 0xFE	...	Reserved							
0xFF	Page Reg.	Page Number (RW)							

Figure 4 – Host Interface Registers

QUALITY ASSURANCE

	Test Items	Test Condition	REMARK
1	High Temperature Storage Test	Ta=+80°C Dry 240h	
2	Low Temperature Storage Test	Ta=-30°C Dry 240h	
3	High Temperature Operation Test	Ta=70°C Dry 240h	
4	Low Temperature Operation Test	Ta=-20°C Dry 240h	
5	High Temperature and High Humidity Operation Test	Ta=60°C 90%RH 240h	
6	Electro Static Discharge Test	Panel surface / top case. Contact / Air : ±6KV / ±8KV, 150pF, 330Ω	Non-operating
7	Vibration Test (non-operating)	Frequency range: 10Hz ~ 500Hz Sweep: 5G, Vibration: Sinusoidal Wave, 30min for X,Y,Z direction.	
8	Thermal Shock Test	-30°C(0.5h) ~ 80°C(0.5h) / 100 cycles	

* Ta= Ambient Temperature

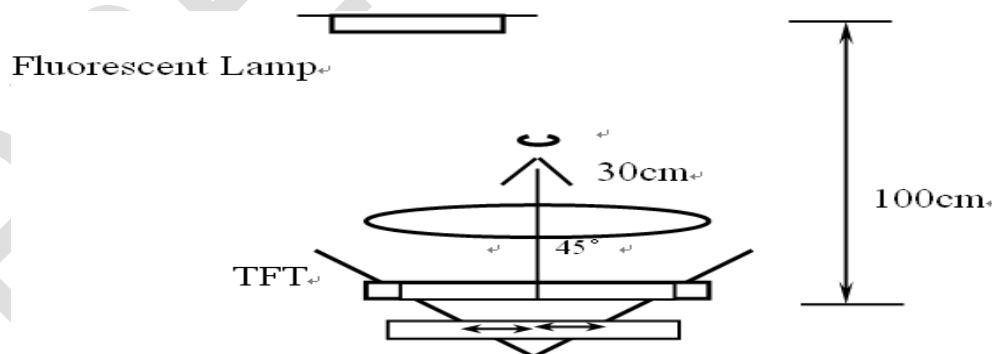
Note:

1. The test samples have recovery time for 2 hours at room temperature before the function check. In the standard conditions, there is no display function NG issue occurred.
2. All the cosmetic specifications are judged before the reliability stress.

QUALITY UNITS

INSPECTION METHOD

An appearance inspection should be conducted at 30 cm or more distance/height from the inspector's eye sight to the LCD module surface under fluorescent light. The distance between LCD and fluorescent lamps should be 100 cm or more. Viewing angle for inspection is 45° from vertical against LCD.



QUALITY LEVEL

The AQL for major and minor defects is defined as follows:

DEFINITION

The environmental condition of inspection

1. Ambient temperature : 22°C±5°C, 65±20%RH
2. Function inspection : less than 300Lux
3. Visual inspection : 750±150Lux

DEFINITION OF DOT DEFECT

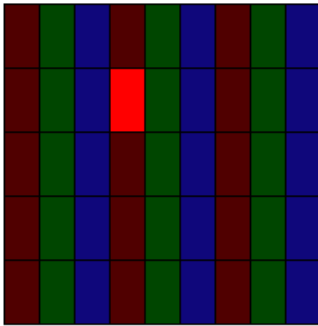
The size of a defective dot full of a whole dot and all bright dot or dark dot defect must be visible through ND 5% filter.

Bright dot

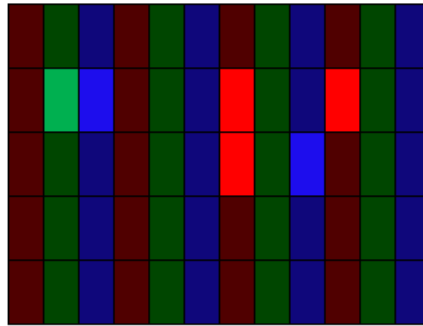
Dots appear bright and unchanged in size in which TFT is displaying.

Partition	Definition	AQL
Major defect	Functional defective in product.	0.25
Minor defect	Meet all functions of product but have some cosmetic defective	0.65

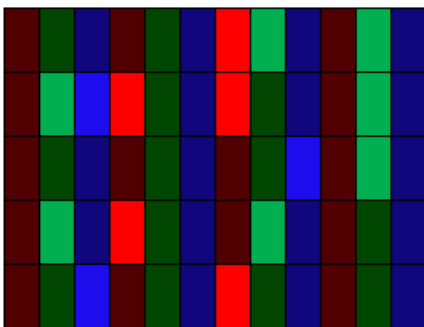
single dot



two adjacent dots



three adjacent dots



Dark dot

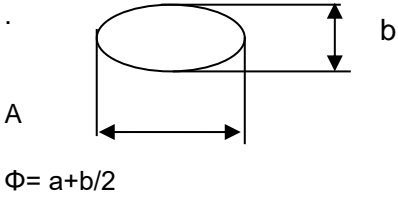
The same definition of bright dot, but always display dark

The usage of ND 5%

Use the ND 5% to cover bright dot within 2s, it should be judged OK if it's invisible.

VISUAL INSPECTION STANDARD

Defect	Inspection	Criteria
1 Corner Broken (Minor)		1. $A \leq 2.0$ mm , $B \leq 2.0$ mm , $C \leq T$ Ignore (No effect on function) 2. $A > 2.0$ mm , or $B > 2.0$ mm, Not allowed
2 Corner Broken (Minor)		1. $A \leq 1.5$ mm , $B \leq 1.5$ mm , $C \leq T$ Ignore (No effect on function) 2. $A > 1.5$ mm , or $B > 1.5$ mm Not allowed 3. To be applied to both CF and TFT glass
3 Corner Broken (Minor)		1. $A \leq 1.5$ mm , $B \leq 1.5$ mm , $C \leq T$ Ignore (No effect on function) 2. $A > 1.5$ mm , or $B > 1.5$ mm Not allowed 3. To be applied to both CF and TFT glass
4 Pad Broken (Minor)		1. $A \leq 0.8$ mm, $C \leq T$ Ignore B Length Ignore (No effect on function) 2. $A > 0.8$ mm, Not allowed
5 Side Broken (Minor)		1. $A \leq 0.8$ mm, $C \leq T$ Ignore B Length Ignore (No effect on function) 2. $A > 0.8$ mm, Not allowed
6 Glass crack (Major)		Not allowed
7		

<p>Spot defect: (Minor)</p>	<p>Foreign/Black/White/Bright Spot/POL dent or bubble</p>  <p>$\Phi = a+b/2$</p>	<table border="1" data-bbox="922 248 1501 465"> <thead> <tr> <th>Dimensions</th> <th>Acceptable Numbers</th> </tr> </thead> <tbody> <tr> <td>$\Phi \leq 0.1\text{mm}$</td> <td>Ignore</td> </tr> <tr> <td>$0.1\text{mm} < \Phi \leq 0.20\text{mm}$</td> <td>2</td> </tr> <tr> <td>$0.2\text{mm} < \Phi \leq 0.30\text{mm}$</td> <td>1</td> </tr> <tr> <td>$\Phi > 0.30\text{mm}$</td> <td>0</td> </tr> </tbody> </table> <p>Note: *1: defect that beyond AA area Ignored</p>	Dimensions	Acceptable Numbers	$\Phi \leq 0.1\text{mm}$	Ignore	$0.1\text{mm} < \Phi \leq 0.20\text{mm}$	2	$0.2\text{mm} < \Phi \leq 0.30\text{mm}$	1	$\Phi > 0.30\text{mm}$	0								
Dimensions	Acceptable Numbers																			
$\Phi \leq 0.1\text{mm}$	Ignore																			
$0.1\text{mm} < \Phi \leq 0.20\text{mm}$	2																			
$0.2\text{mm} < \Phi \leq 0.30\text{mm}$	1																			
$\Phi > 0.30\text{mm}$	0																			
<p>8 Line defect (Minor)</p>	<p>Scratch ; Fiber</p>	<p>Scratch :</p> <table border="1" data-bbox="922 680 1501 958"> <thead> <tr> <th>Dimensions</th> <th>Acceptable Numbers</th> </tr> </thead> <tbody> <tr> <td>$W \leq 0.03\text{mm}$</td> <td>Ignore</td> </tr> <tr> <td>$L \leq 5\text{ mm}$ $0.03\text{mm} < W \leq 0.05\text{mm}$</td> <td>2</td> </tr> <tr> <td>$L \leq 5\text{ mm}$ $0.05\text{mm} < W \leq 0.1\text{mm}$</td> <td>1</td> </tr> <tr> <td>Beyond Above, Not Allowed</td> <td></td> </tr> </tbody> </table> <p>Fiber:</p> <table border="1" data-bbox="922 1025 1501 1205"> <thead> <tr> <th>Size</th> <th>Acceptable Numbers</th> </tr> </thead> <tbody> <tr> <td>$W \leq 0.03\text{mm}$</td> <td>Ignore</td> </tr> <tr> <td>$L \leq 3\text{ mm}$ $0.03 < W \leq 0.05\text{mm}$</td> <td>2</td> </tr> <tr> <td>Beyond Above, Not Allowed</td> <td></td> </tr> </tbody> </table> <p>Note: *1 : defect that beyond AA area Ignored</p>	Dimensions	Acceptable Numbers	$W \leq 0.03\text{mm}$	Ignore	$L \leq 5\text{ mm}$ $0.03\text{mm} < W \leq 0.05\text{mm}$	2	$L \leq 5\text{ mm}$ $0.05\text{mm} < W \leq 0.1\text{mm}$	1	Beyond Above, Not Allowed		Size	Acceptable Numbers	$W \leq 0.03\text{mm}$	Ignore	$L \leq 3\text{ mm}$ $0.03 < W \leq 0.05\text{mm}$	2	Beyond Above, Not Allowed	
Dimensions	Acceptable Numbers																			
$W \leq 0.03\text{mm}$	Ignore																			
$L \leq 5\text{ mm}$ $0.03\text{mm} < W \leq 0.05\text{mm}$	2																			
$L \leq 5\text{ mm}$ $0.05\text{mm} < W \leq 0.1\text{mm}$	1																			
Beyond Above, Not Allowed																				
Size	Acceptable Numbers																			
$W \leq 0.03\text{mm}$	Ignore																			
$L \leq 3\text{ mm}$ $0.03 < W \leq 0.05\text{mm}$	2																			
Beyond Above, Not Allowed																				
<p>9 (Minor)</p>	<p>glue on glass</p>	<p>1. Silicon area not match with document request reject 2. Silicon not cover with all effective ITO reject 4. Glue wet to the LCD upper POL or the bottom POL. And the connector over the LCD PIN. (Include FFC、FPC...etc reject</p>																		
<p>10 (Major)</p>	<p>IC/FPC</p>	<p>1. the line broken off reject 2. oxidation/broken/fold-injury in acute angle / distortion on golden fingers reject 3. FPC protection cover fix no good or deflection over the drawing request reject 4. Scratch/Surface Dirty or mark that doesn't affect display Ignored</p>																		
<p>11 (Minor)</p>	<p>Backlight</p>	<p>1. The size don't match with the drawing . reject 2. Surface Dirty or mark that can not wipe out Ignored 3. Scald reject 4. Uneven or Scratch on surface that doesn't affect display Ignored</p>																		
<p>12</p>	<p>Weld</p>	<p>1. tack weld reject</p>																		

(Major)		2.welding short out reject 3.very little or too much tin reject 4.FPC cock reject
13 (Minor)	protect film	Neglect any defect on protect film, such as: scratches/bubbles/particles

PRELIMINARY

ELECTRONIC INSPECTION STANDARD:

Defect	Inspection	Criteria														
1 Spot defect (Minor)	Foreign particle/Black/White spot/Bubble .etc.	<table border="1"> <thead> <tr> <th>Dimensions</th> <th>Acceptable Numbers</th> </tr> </thead> <tbody> <tr> <td>$\Phi \leq 0.1\text{mm}$</td> <td>Ignore</td> </tr> <tr> <td>$0.1\text{mm} < \Phi \leq 0.20\text{mm}$</td> <td>2</td> </tr> <tr> <td>$0.2\text{mm} < \Phi \leq 0.30\text{mm}$</td> <td>1</td> </tr> <tr> <td>$\Phi > 0.30\text{mm}$</td> <td>0</td> </tr> </tbody> </table>	Dimensions	Acceptable Numbers	$\Phi \leq 0.1\text{mm}$	Ignore	$0.1\text{mm} < \Phi \leq 0.20\text{mm}$	2	$0.2\text{mm} < \Phi \leq 0.30\text{mm}$	1	$\Phi > 0.30\text{mm}$	0				
		Dimensions	Acceptable Numbers													
		$\Phi \leq 0.1\text{mm}$	Ignore													
		$0.1\text{mm} < \Phi \leq 0.20\text{mm}$	2													
		$0.2\text{mm} < \Phi \leq 0.30\text{mm}$	1													
$\Phi > 0.30\text{mm}$	0															
Note: *1: defect that beyond AA area Ignored																
2 Line defect (Minor)	Scatched ; Fiber	Scratch:														
		<table border="1"> <thead> <tr> <th>Dimensions</th> <th>Acceptable Numbers</th> </tr> </thead> <tbody> <tr> <td>$W \leq 0.03\text{mm}$</td> <td>Ignore</td> </tr> <tr> <td>$L \leq 5\text{ mm}$ $0.03\text{mm} < W \leq 0.05\text{mm}$</td> <td>2, *1</td> </tr> <tr> <td>$L \geq 5\text{ mm}$ or $W \geq 0.05\text{ mm}$</td> <td>0</td> </tr> </tbody> </table>	Dimensions	Acceptable Numbers	$W \leq 0.03\text{mm}$	Ignore	$L \leq 5\text{ mm}$ $0.03\text{mm} < W \leq 0.05\text{mm}$	2, *1	$L \geq 5\text{ mm}$ or $W \geq 0.05\text{ mm}$	0						
		Dimensions	Acceptable Numbers													
		$W \leq 0.03\text{mm}$	Ignore													
		$L \leq 5\text{ mm}$ $0.03\text{mm} < W \leq 0.05\text{mm}$	2, *1													
$L \geq 5\text{ mm}$ or $W \geq 0.05\text{ mm}$	0															
Fiber:																
<table border="1"> <thead> <tr> <th>Size</th> <th>Acceptable Numbers</th> </tr> </thead> <tbody> <tr> <td>$W \leq 0.03\text{mm}$</td> <td>Ignore , *1</td> </tr> <tr> <td>$L \leq 3\text{ mm}$ $0.03 < W \leq 0.05\text{mm}$</td> <td>2; *2</td> </tr> <tr> <td colspan="2">Beyond Above, Not Allowed</td> </tr> </tbody> </table>	Size	Acceptable Numbers	$W \leq 0.03\text{mm}$	Ignore , *1	$L \leq 3\text{ mm}$ $0.03 < W \leq 0.05\text{mm}$	2; *2	Beyond Above, Not Allowed									
Size	Acceptable Numbers															
$W \leq 0.03\text{mm}$	Ignore , *1															
$L \leq 3\text{ mm}$ $0.03 < W \leq 0.05\text{mm}$	2; *2															
Beyond Above, Not Allowed																
Note: *1: defect that beyond AA area Ignored																
3 (Minor)	Bright/dark dot By sub-pixel	<table border="1"> <thead> <tr> <th>Dimensions</th> <th>Acceptable Numbers</th> </tr> </thead> <tbody> <tr> <td>Single bright dot</td> <td>$N \leq 1$</td> </tr> <tr> <td>Two adjacent bright dots</td> <td>reject</td> </tr> <tr> <td>Three adjacent bright dots</td> <td>reject</td> </tr> <tr> <td>Single dark dot</td> <td>≤ 2</td> </tr> <tr> <td>Two adjacent dark dots</td> <td>≤ 0</td> </tr> <tr> <td>Three adjacent dark dots</td> <td>reject</td> </tr> </tbody> </table>	Dimensions	Acceptable Numbers	Single bright dot	$N \leq 1$	Two adjacent bright dots	reject	Three adjacent bright dots	reject	Single dark dot	≤ 2	Two adjacent dark dots	≤ 0	Three adjacent dark dots	reject
		Dimensions	Acceptable Numbers													
		Single bright dot	$N \leq 1$													
		Two adjacent bright dots	reject													
		Three adjacent bright dots	reject													
		Single dark dot	≤ 2													
		Two adjacent dark dots	≤ 0													
Three adjacent dark dots	reject															
1:The distance between dot defects should be more 5MM apart																
2:Total dot ≤ 2																
4 (Minor)	Tiny Bright dot	Invisible by ND5% Filter, Ignore;														
		If visible, $\Phi \leq 0.1\text{mm}$, Ignore ; $0.1\text{mm} < \Phi \leq 0.30\text{mm}$, $N \leq 2$														
5 (Major)	Display	1.Missing segment, missing word reject														
		2.no display. reject														
		3. Viewing angle not right. reject														
		4. Display abnormal reject														
6 (Major)	Mura/ hot spot/ Light leak (apply to all patterns)	judge by ND5% filter or limit sample														
7 (Major)	flicker	judge by ND 5% filter in grey pattern or limit sample														

8 (Major)	Electricity parameter (VoP/Current)	Over the production SPEC reject
9 (Major)	Backlight	LED died off reject Display on uniformity Invisible by ND5% filter Brightness does not match the SPEC reject 4、 light leak Invisible by ND5% filter
10 (Major)	Cross talk	Limit sample

PRELIMINARY

INITIALISATION EXAMPLE

```

WriteComm(0x01);
Delay(200);

//-----
----//
WriteComm(0x11);
Delay(120); //Delay 120ms
//-----display and color format setting-----
//
WriteComm(0x36);
WriteData(0x00);
WriteComm(0x3a);
WriteData(0x05);
WriteComm(0x21);

//-----ST7789V Frame rate setting-----//
WriteComm(0xb2);
WriteData(0x05);
WriteData(0x05);
WriteData(0x00);
WriteData(0x33);
WriteData(0x33);
WriteComm(0xb7);
WriteData(0x35);
//-----ST7789V Power setting-----//
WriteComm(0xb8);
WriteData(0x2f);
WriteData(0x2b);
WriteData(0x2f);
WriteComm(0xbb);
WriteData(0x2B);
WriteComm(0xc0);
WriteData(0x2c);
WriteComm(0xc2);
WriteData(0x01);
WriteComm(0xc3);
WriteData(0x0b);
WriteComm(0xc4);
WriteData(0x20);
WriteComm(0xc6);
WriteData(0x11);
WriteComm(0xd0);
WriteData(0xa4);
WriteData(0xa1);
WriteComm(0xe8);
WriteData(0x03);
WriteComm(0xe9);
WriteData(0x0d);
WriteData(0x12);
WriteData(0x00);
//-----ST7789V gamma setting-----//
WriteComm(0xe0);
WriteData(0xd0);
WriteData(0x06);
WriteData(0x0b);
WriteData(0x0a);
WriteData(0x09);
WriteData(0x05);
WriteData(0x2e);
WriteData(0x43);
WriteData(0x44);

```

```

WriteData(0x09);
WriteData(0x16);
WriteData(0x15);
WriteData(0x23);
WriteData(0x27);

WriteComm(0xe1);
WriteData(0xd0);
WriteData(0x06);
WriteData(0x0b);
WriteData(0x09);
WriteData(0x08);
WriteData(0x06);
WriteData(0x2e);
WriteData(0x44);
WriteData(0x44);
WriteData(0x3a);
WriteData(0x15);
WriteData(0x15);
WriteData(0x23);
WriteData(0x26);

//-----Init RGB-Mode-----
WriteComm(0x3A); //Interface Pixel Format
WriteData(0x55); //RGB 65K Colors, Control interface 16bit/pixel

WriteComm(0xB0); //RAM access control
WriteData(0x11); //RGB interface access RAM, Display operation RGB interface
WriteData(0xE0); //16 Bit Farbformat R7 auf R0, MSB first, 18 bit bus width,

WriteComm(0xB1); //RGB interfacecontrol
WriteData(0xEF); //Direct RGB mode, RGB DE Mode, Control pins high active
WriteData(0x08); //VSYNC Back porch setting
WriteData(0x14); //HSYNC Back porch setting

//-----Display on-----
WriteComm(0x11);
Delay(120); //Delay 120ms

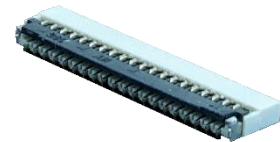
WriteComm(0x29);
Delay(100);

```

ACCESSORY EA WF030-39S

The 39-pin FFC cable is an all in one connection. It provides all signals for

- TFT interface
- LED backlight
- PCAP touchpanel



EA WF030-39S is a 39-pin ZIFF connector for bottom side contact.

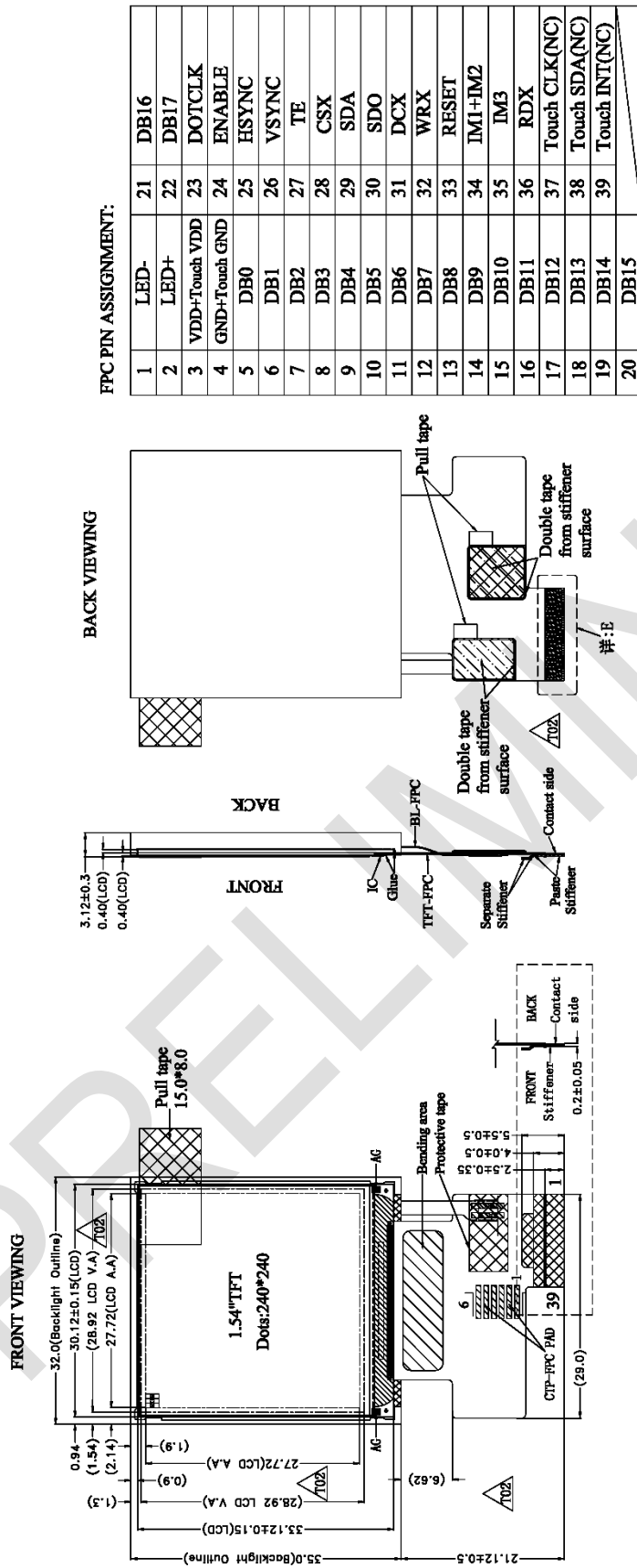
Datasheet: <https://www.lcd-module.de/eng/pdf/zubehoer/WF030-39S.pdf>

DIMENSION EA TFT015-22AINN

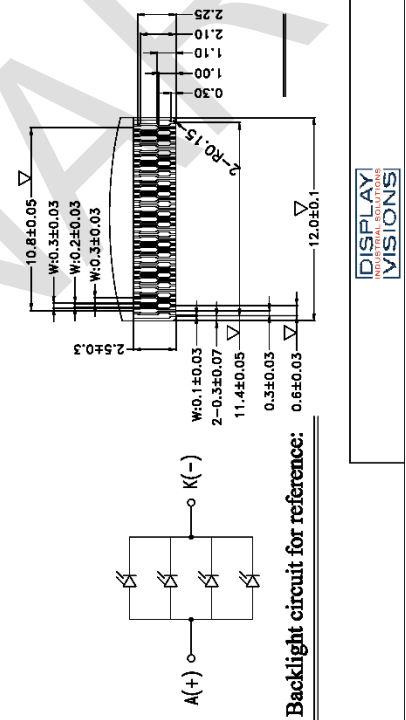
ISSUE	MODIFY DESCRIPTION	DATE
T01	First Issue	2022.01.05
T02	Modify FPC	2022.10.27

Kind suggestion: VA of customer's application should be 0.5mm smaller than LCD VA in each side.

ROHS



TITLE:		Module Speciality
PROJECT NO:	EA TFT015-22AINN	
▲: Special characteristic	▽: Critical dimension	
+ : Safety characteristic	(---): Reference dimension	
Tolerance unless: x.xx±0.3		
Otherwise specified: x.xx±0.2		
THIRD ANGLE PROJECTION		
DRAWN	NAME	SIGN
CHECKED		
CHECKED		
APPROVED		
REV: T02	UNIT: mm	SCALE: 1/1
		SHEET: 1 OF 2



Display Type	1.54" TFT-LCD / Normally black Transmissive
Display Resolution	DOTS: 240*240
Viewing Direction	ALL
Max. Ratio and Bias Level	✓
LCD & CTP Controller/Driver	LCD: S17789VI (COG)
Logic Voltage	3.3V±0.3V (VDD)
LCD Driving Voltage	✓
Operation Temperature	-20°C TO 70°C
Storage Temperature	-30°C TO 80°C
Backlight Speciality	LED SIDE (WHITE), 4PCS, V _f =3.1V (TYP.), I _f =80mA (Constant), Luminous of module is 1100cd/m ² (MIN.).
Reliability Test	Normal
Remark	✓

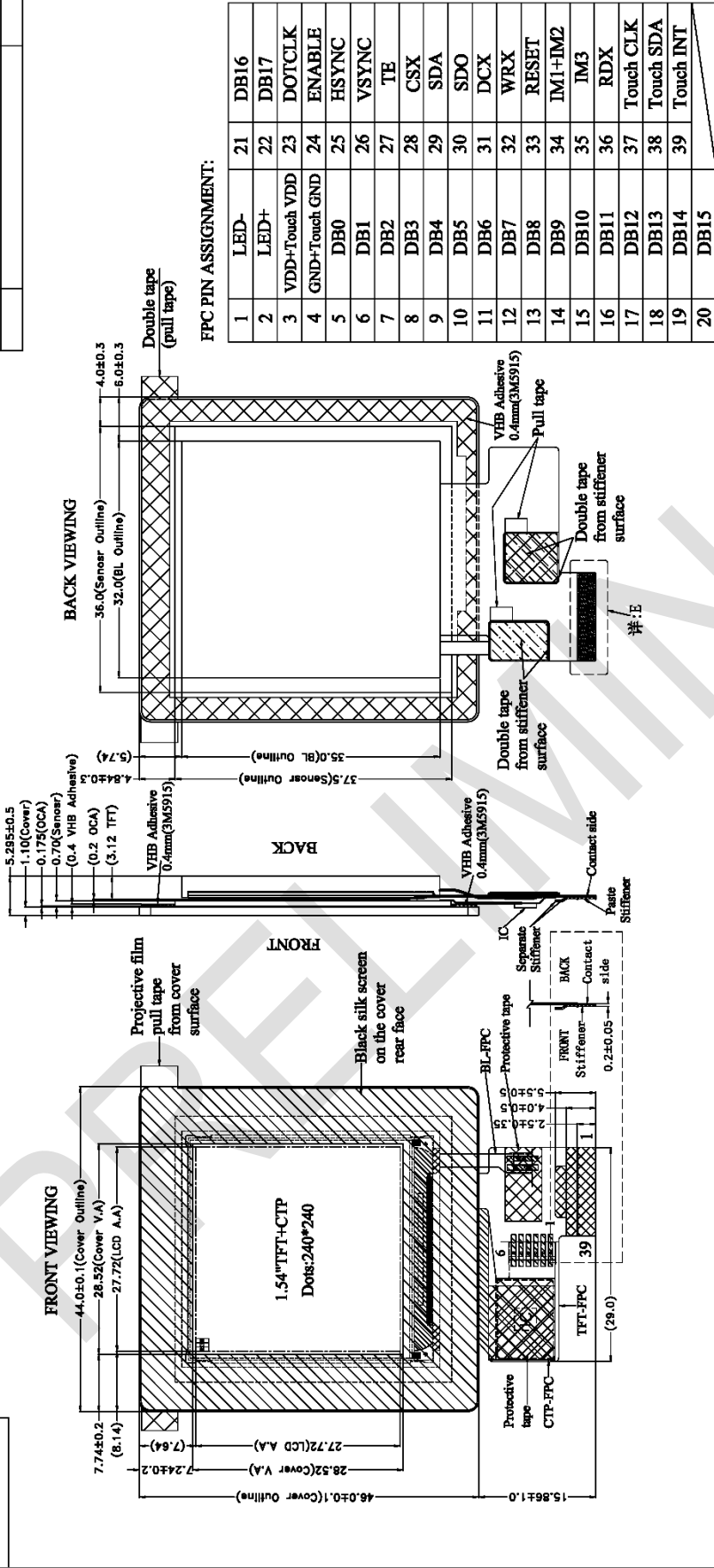
DISPLAY VISIONS
INDUSTRIAL SOLUTIONS

DIMENSION EA TFT015-22AITC

ISSUE	MODIFY DESCRIPTION	DATE
T01	First Issue	2022.01.05
T02	Modify FPC cable	2022.10.26

Kind suggestion: VA of customer's application should be 0.5mm smaller than LCD VA in each side.

RoHS



TITLE: Module Speciality

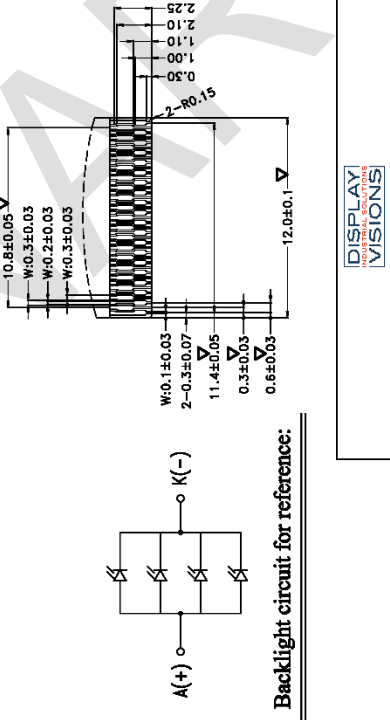
PROJECT NO: EA TFT01522AITC

▲: Special characteristic
▽: Critical dimension
+: Safety characteristic
(-): Reference dimension
Tolerance unless specified: xx±0.2

THIRD ANGLE PROJECTION

NAME	SIGN	DATE
DRAWN		2022.10.26
CHECKED		
CHECKED		
APPROVED		

REV: T02 UNIT: mm SCALE: 1/1 SHEET: 1 OF 2



Display Type	1.54" TFT-LCD / Normally black Transmissive + CTP
Display Resolution	DOTS: 240*240
Viewing Direction	ALL
Max.Ratio and Bias Level	✓
LCD&CTP Controller/Driver	LCD: ST7789VI (COG), CTP: ST1615 (SMT)
Logic Voltage	3.3V±0.3V (VDD)
LCD Driving Voltage	✓
Operation Temperature	-20°C TO 70°C
Storage Temperature	-30°C TO 80°C
Backlight Speciality	LED SIDE (WHITE), APCS VF=3.1V (TYP.), IF=80mA (Constant) Luminous of module is 1000cd/m ² (MIN.)
Reliability Test	Normal
Remark	✓

DISPLAY VISIONS
INDUSTRIAL SOLUTIONS